

-	-	-	-	-	-
-	-	-	-	-	-
-	-	-	-	-	-
-	-	-	-	-	-
A	ORIGINAL DRAWING			02/11/15	JW
Rev.	Modification Description			Date	Name
Project Leader	Approved by	Proj. EUR mm	Scale 7/100	Format A3	Sheet 1 of 2
<p>Unless otherwise specified, dimensions are in mm and given after finishing. If in doubt ask and report any discrepancies. All rights strictly reserved. Reproduction or issue to third parties in any form whatever is not permitted without written authority of banksys.</p>					
Drawing Title				Drawing number	Rev.
EVA CVS - TERMINAL - MOUNTING INSTUCTIONS				3034910003	01

Worldline

CONFIDENTIAL

8

7

6

5

4

3

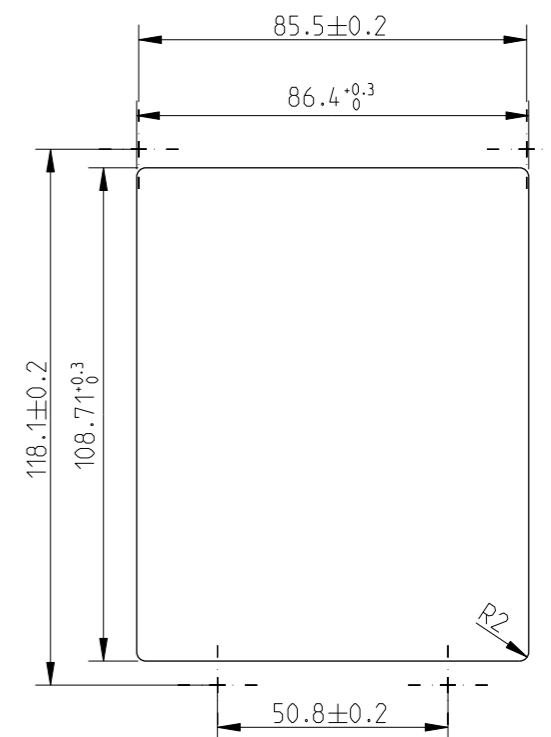
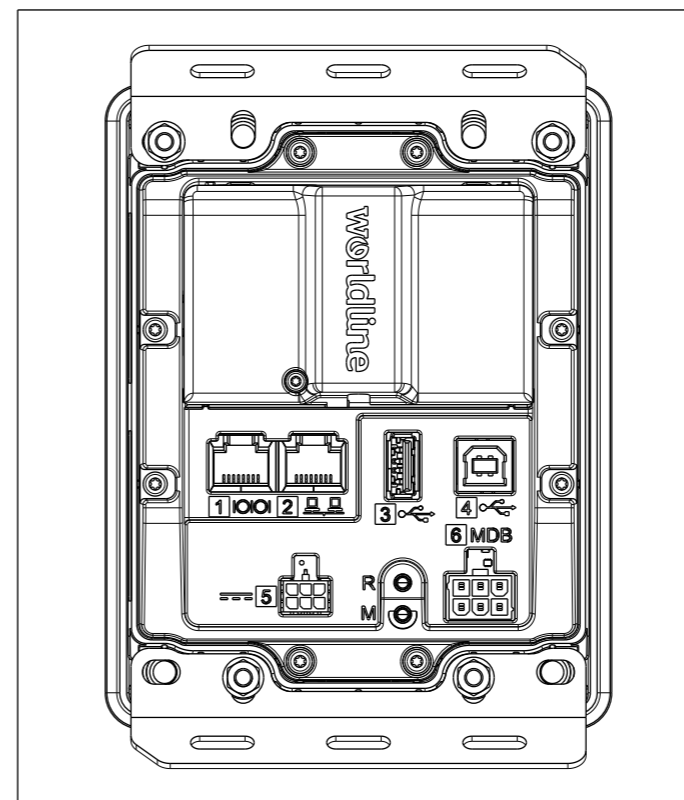
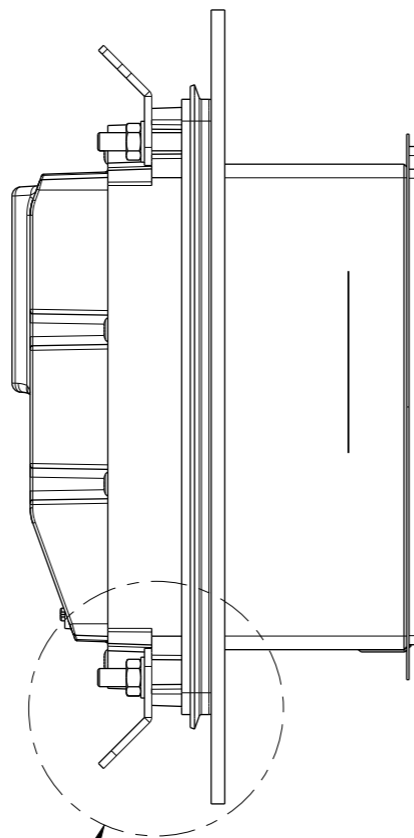
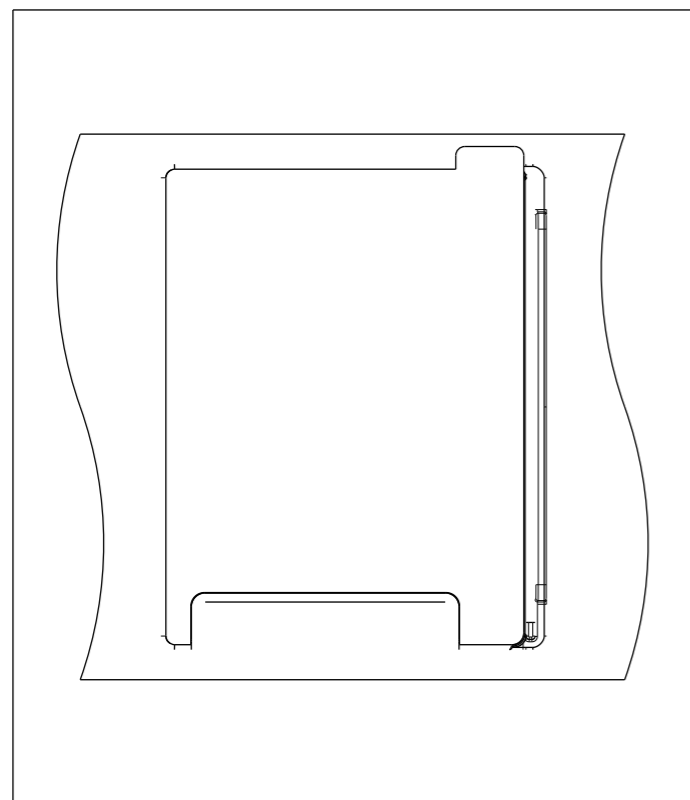
2

1

D

D

OPENING IN FRONT PLANE
AND POSITIONING STUDS



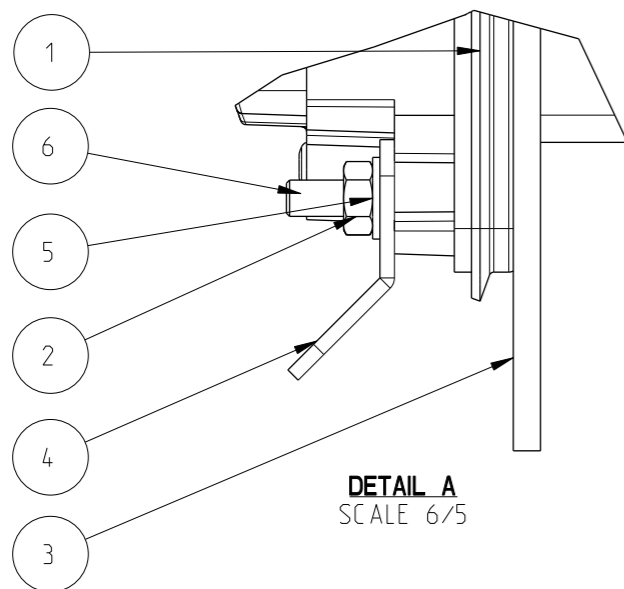
C

C

SEE DETAIL A

B

B



DETAIL A
SCALE 6/5

A

A

ID	ARTNUMBER	DESCRIPTION	QTY							
1	3034910124	FRONT GASKET	1	-	-	-	-	-	-	
2	1000710402	HEXAGON NUT DIN934 M4	4	-	-	-	-	-	-	
3	3034910132	INSTALLATION BOARD	1	-	-	-	-	-	-	
4	3034910125	MOUNTING PLATE	2	-	-	-	-	-	-	
5	1000810400	WASHER DIN125 M4	4	-	-	-	-	-	-	
6	D32501_M4X25--020699.PRT	WELD STUD M4x25	4	-	-	-	-	-	-	
				A		ORIGINAL DRAWING		02/11/15	JW	
				Rev.		Modification Description		Date	Name	
				Project Leader	Approved by	Proj. EUR	Scale	Format	Sheet	
						mm	3/5	A3	2 of 2	
				Unless otherwise specified, dimensions are in mm and given after finishing. If in doubt ask and report any discrepancies. All rights strictly reserved. Reproduction or issue to third parties in any form whatever is not permitted without written authority of banksys.					Worldline	
				Drawing Title				Drawing number		Rev.
				EVA CVS - TERMINAL - MOUNTING INSTUCTIONS				3034910003		01

8

7

6

5

4

3

2

1

CONFIDENTIAL